

Pullman Industrial Balancer Reels

Tool Balancer / Product Balancer SPECIFICATION SHEET



Specifications and General Information

- **Weights from 4 LBS. To 35 LBS.** (Using Dead Weight Test)

Spring Forces (For cable balance reels only)

A minimum of 4-lbs. And a maximum of 35-lbs. (using dead weight test) is available within the same housing. A different high carbon clock spring is used for each increment of 2-3 lbs. Multiple balances can be used for heavier weights.

- **For Vertical Counterbalancing Applications**

**Tool Balancers
Product Balancers
Hinged Panels and Lids
Pull Down Lighting Fixtures
Bulletin Boards
Industrial Equipment**

**Handling Heavy Product during Assembly Operations
Manufacturing Line
Window Sash Balancers
Hospital Equipment
Safety Guards
Kiosks**

- **Cable Length up to 96"**

Characteristics for vertical counterbalancing (door, fume hood, tool balancing, etc.) where cable is preferable to steel tape, the cable may be as long as 96", but only the last approximately 30" is accurately counterbalanced for the spring force desired. Normally the less the spring force or weight involved the greater the distance beyond 30" is available at the end of the cable extension. Last 30" is accurately counterbalanced.

- **Multiple Mounting Options**

"A" Style – See page 2 of 4.

"B" Style – See page 3 of 4.

- **Variable Load Counterbalancing**

viz.: overhead doors, hinged panels and lids, the maximum spring force is only needed for a short distance when the object is initially started upward. As the load changes, the spring force lessens, for perfect balancing throughout the cable retraction.

NOTE: For many applications, our tape type clock spring counterbalances are a better solution to normal vertical balancing problems where infrequent cycling and holding the object to be counterbalanced at any position are the objectives.

- **Built to last with Heavy Duty Cable and Metal Casing**

Page 1 of 4

Pullman Mfg. Corporation (585)334-1350 ext. 302

Website: www.pullmanmfg.com

e-mail: sales@pullmanmfg.com

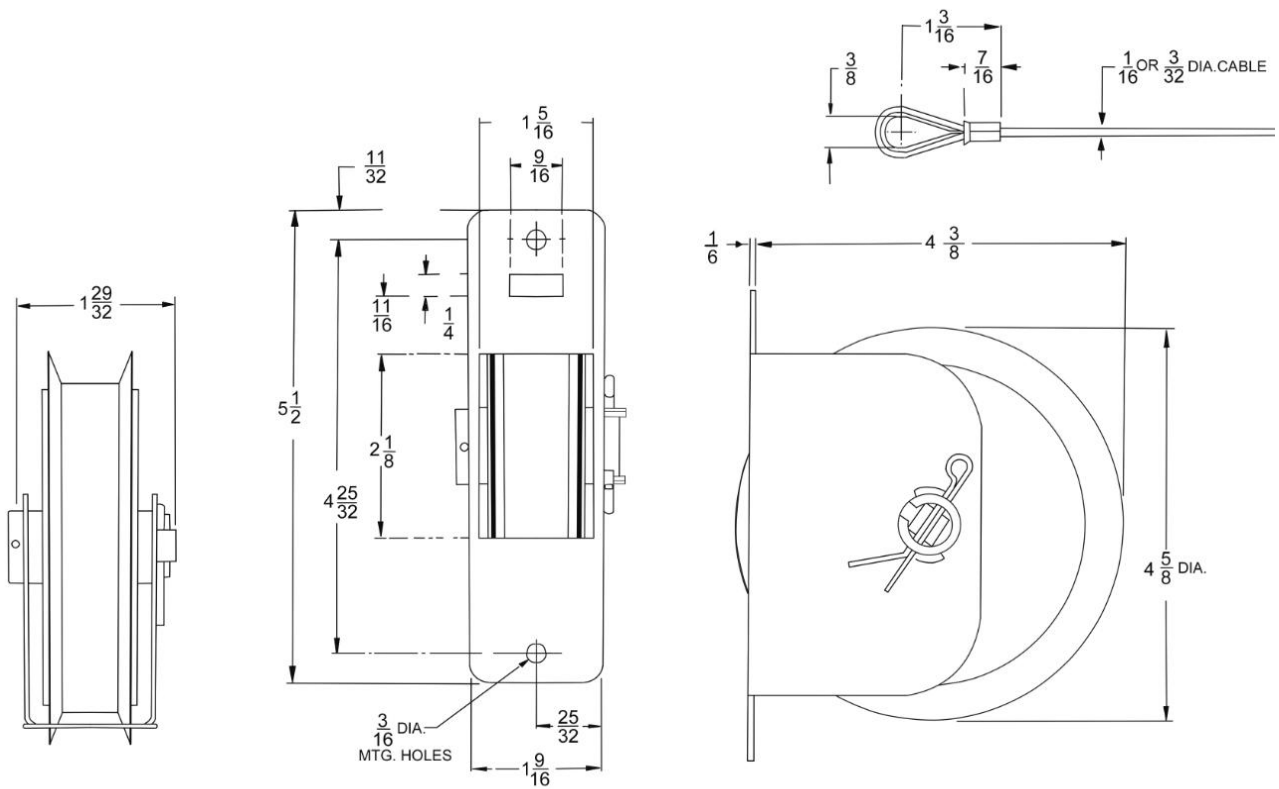
Type "A" Balance Information (Part number CBA(# of lbs)-3000)



**THIF Cable Style
(Through Hole in Face)**



**OB Cable Style
(Off Back)**



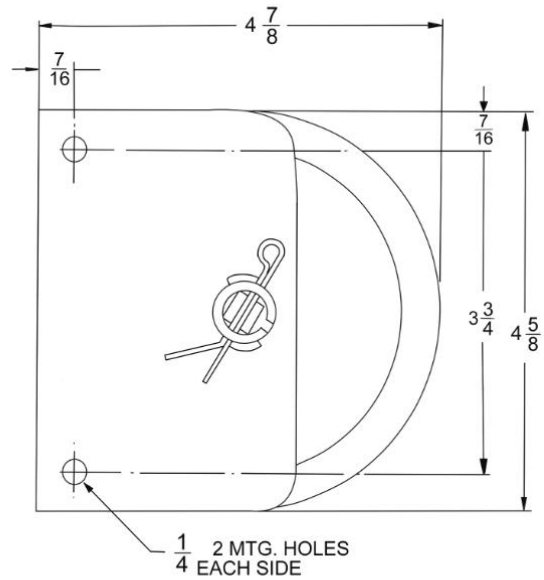
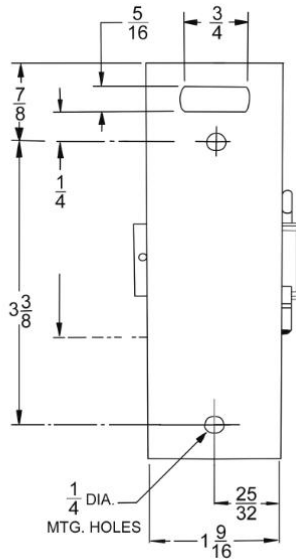
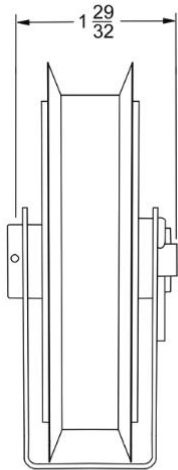
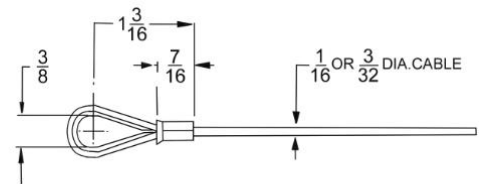
Type "B" Balance Information (Part number CBB(# of lbs)-3000)



**THIF Cable Style
(Through Hole in Face)**



**OB Cable Style
(Off Back)**



General Information

Cable

Either 1/16" or 3/32" diameter galvanized 7X7 preformed aircraft cable tests well over 500 lbs.

Note: Length of cable affects spring force; therefore, specify exact length of cable as well as spring load required.

Cable End Attachment

Standard is thimble-eyelet (see drawing) type which revolves around pin or bolt attached to object to be moved. Other attachments can be made on request.

Installation

Bolt holes are conveniently located on face of housing for a variety of installations.

Adjustment Of Spring Tension

Final adjustment, if necessary, can be easily made in your shop or in the field. To adjust tension: (for cable balance reels only)

- a. Use a "C" clamp on housing to hold tension.
- b. Insert any appropriate tool in hole of axle and hold.
- c. Remove large cotter pin from other end of axle.
- d. Turn axle clockwise for less tension. Turn axle counter-clockwise (note more than 1/2 to 1 full turn) for more tension.
- e. Replace cotter pin.

Our Custom Industrial Balance Department is prepared to adapt standard models or provide tooling for special model, to conform to your exact requirements.