

# TYPE "A"

## CABLE

Either 1/16" or 3/32" diameter galvanized 7 x 7 preformed aircraft cable tests well over 500 lbs.

NOTE: Length of cable affects spring force; therefore, specify exact length of cable as well as spring load required.

## CABLE END ATTACHMENT

Standard is thimble-eyelet (see drawing) type which revolves around pin or bolt attached to object to be moved.

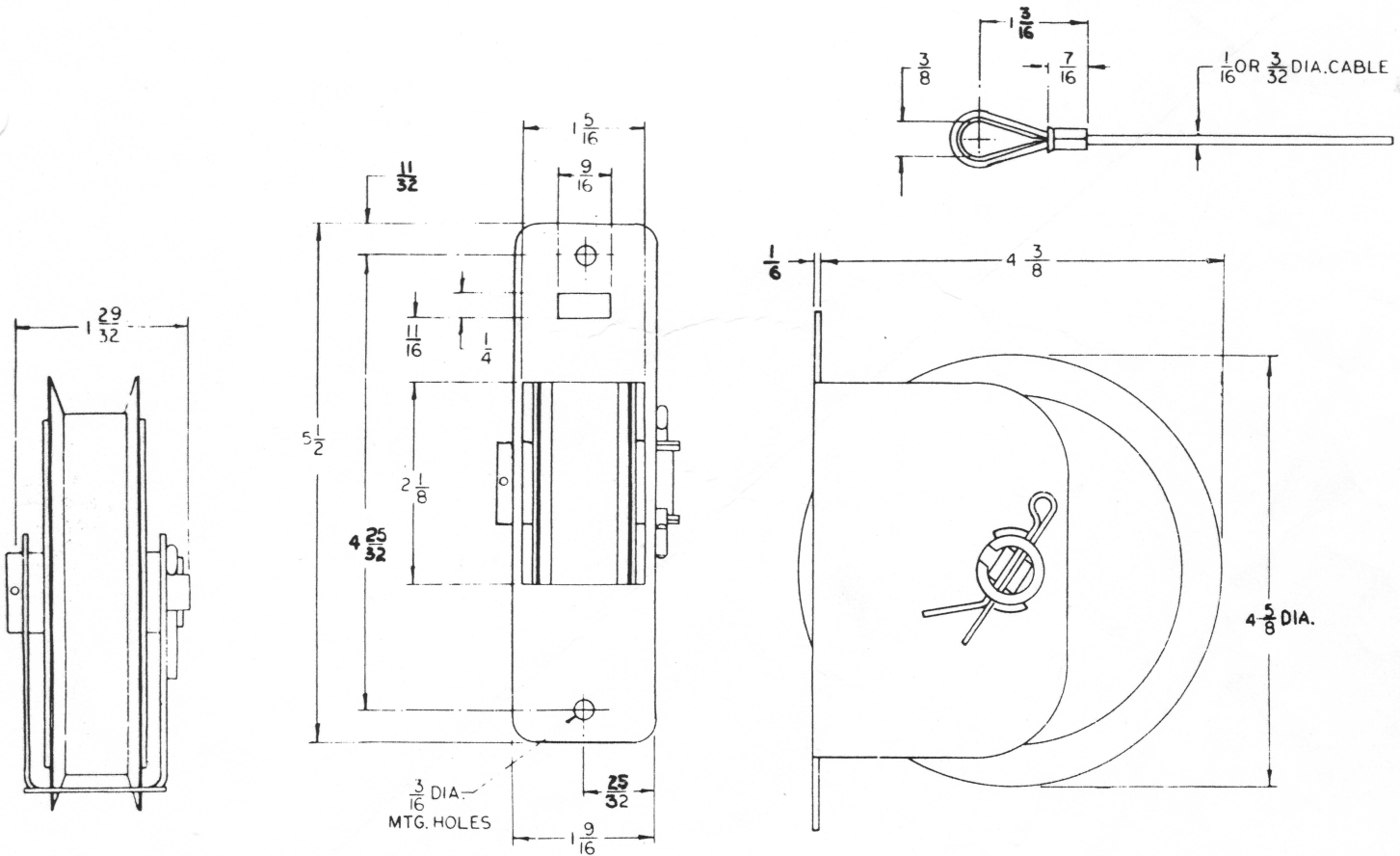
Other attachments can be made on request.

## INSTALLATION

Bolt holes are conveniently located on face of housing for a variety of installations.

### Type A

Two positions through windows in face or several angles off back of balance.



Pullman Mfg. Corporation

77 Commerce Drive, Rochester, New York 14623  
Phone (716) 334-1350 Fax (716) 359-4460

All drawings are 1/2 actual size